

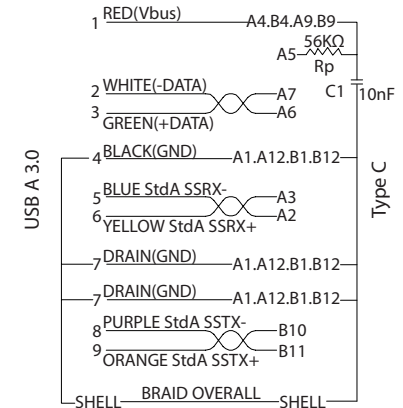
IDS Product Data:

Item number: AD00224
 Matchcode: USB 3.1 Gen 1 standard cable, straight, 3 m
 Date: 21.02.2018

Zertificates:

RoHS Compliant 

Item	Description
1	A+ USB A 3.0 (OD5.8 Die Cast Threaded) Die Cast Shell incl. M2.6x2.5 screw (to be disposed, when bracket is applied)
2	A86-4730(T), [OD=6.2mm] <BLK> E357566-ALY-T UL2725 2STP(#26x2C)+ STP#28+2C#22
3	A+ USB TypeC (OD6.2 Die Cast) Die Cast Shell
4	Cable Label - White Pad Print
5	USB A (Die Cast) sl Bracket
6	USB C (Die Cast) sl Bracket



* This document is the property of IDS Imaging Development Systems GmbH. It must not be copied or otherwise disclosed without prior written consent.